






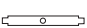













REXER ROLLER STAND

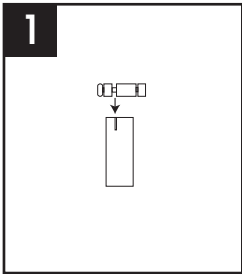
2024 Model

Parts

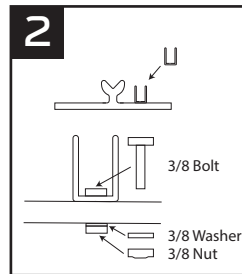
- White nylon washer x 2 
- 3/8 Nut x 1 
- 3/8 Washer x 1 
- 3/8 Bolt x 1 
- Carriage bolt x 1 
- Wing nut x 1 
- U brace x 1 
- Roller storage bracket x 1 
- Knob acorn nut x 1 
- Knob bolt x 1 

- Quick release clamp x 1 
- M6 Button head bolts x 8 
- Rubber feet x 4 
- Upper hook x 1 
- Lower vertical upright x 1 
- Upper base x 1 
- Middle base x 1 
- Lower base x 1 
- Plugs x 4 

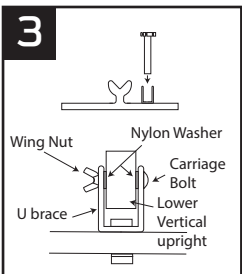
Assembly part 1



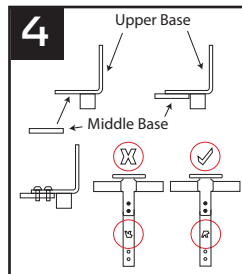
1 Install seat clamp onto lower vertical upright with a slit near the edge



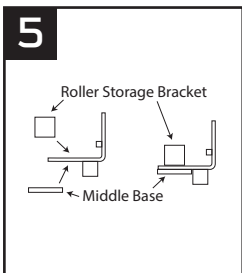
2 Locate U brace, 3/8 bolt, 3/8 washer, and 3/8 nut. Insert 3/8 bolt through U brace then install into the base. Flip over the base and place washer on bolt then screw on 3/8 bolt. Use a 14mm wrench to tighten till snug



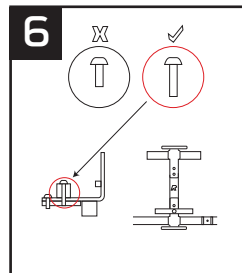
3 Grab the carriage bolt, wing nut, 2 white nylon washers, and lower vertical upright with seat clamp installed. Locate end with two holes, this side will be installed into U brace. Place white nylon washers in-between the inside of the U brace and the lower vertical upright. Install wing nut on the outside of the U brace, tighten till snug.



4 Grab the upper base and middle base. Place middle base under the wheel support and match the two threaded holes in the middle base with the two holes in the bracket. Ensure that the "R" of facing in the correct orientation. Insert M6 bolt and tighten till snug.



5 Locate the upper base/ middle base assembly, lower base, and roller storage bracket. Place middle base under the wheel support and match up the two threaded holes in the middle base with the two holes in the bracket.

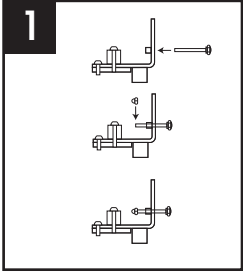


6 Using the longest M6 bolt out of the 8, place the roller bracket above the lowest hole on top of the bracket. Install M6 bolts and tighten till snug.

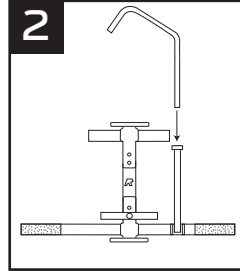
REXER ROLLER STAND

2024 Model

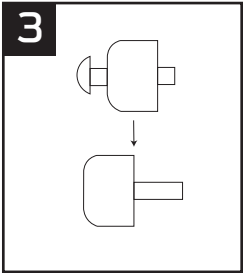
Assembly part 2



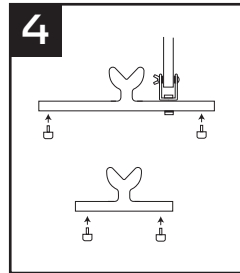
1 Install Knob bolt from the outside of the lower base where there is a threaded rivet nut. Next install acorn nut onto the knob bolt.



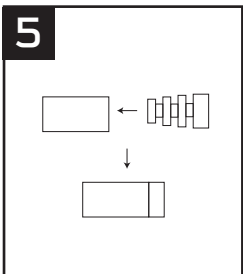
2 Grab upper hook and insert into the lower vertical upright where the seat clamp is attached.



3 Locate the 4 rubber feet and 4 M6 bolts. Install M6 bolts from the under side of the rubber foot. The bolt will be sticking up from the flat side of the rubber foot. Firmly press in M6 button head bolt into each of the rubber feet.



4 Install the 4 rubber feet to the under side of the base with M4 Allen key

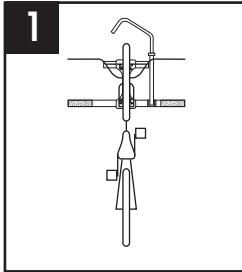


5 Locate 4 square plugs and press into the square opening on the left and right side of the base

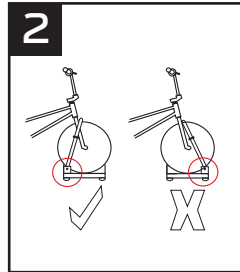
REXER ROLLER STAND

2024 Model

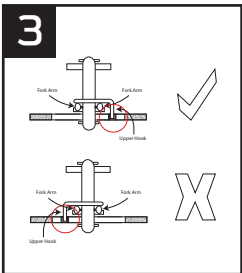
How to use



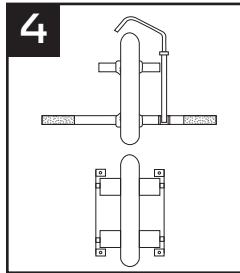
1 Place Rexer Roller Stand on level ground. The vertical upright/ upper hook should be on the drive side of the bicycle behind the front wheel. Place the front wheel between the wheel supports



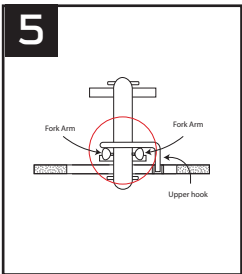
2 Double check to verify that the Roller Stand is in the correct orientation. The "U" brace, Lower base, Lower Vertical Upright, and Upper hook should be behind the front wheel.



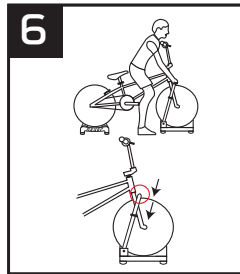
3 The "U" brace, Lower base, Lower Vertical Upright, and Upper hook should be on the right side of the front wheel.



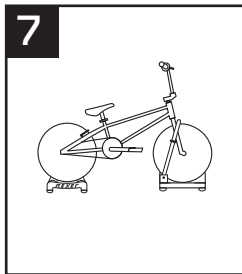
4 With the front wheel on the Roller Stand place Rexer Rollers underneath the back wheel. Make sure the wheels are centered on the Rexer rollers. Both the Rexer Roller stand and Rexer Rollers assembly



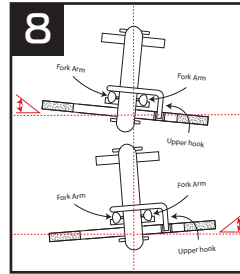
5 Place upper hook in the area in front of the fork and wheel. Upper hook should be touching both the left and right arms of the fork arms and front wheel.



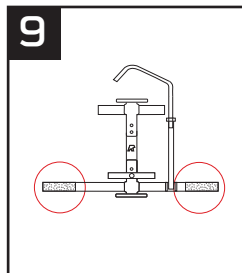
6 While sitting on the top tube of the frame firmly press down on top of the upper hook with downward force matching the arrows then close the clamp.



7 The rider can now start pedaling.



8 For extra small adjustment to balance the rider can either slightly turn the handlebars to the right or left until ideal balance is desired.

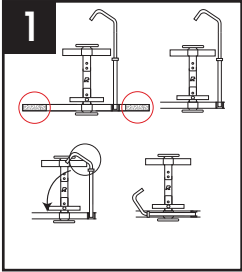


9 To get off, step off the pedals then place feet on the circled sections of the base with grip tape on either side. Unlatch quick release clamp and pull up on the upper hook. Tilt the upper hook in front of the front wheel then remove bike.

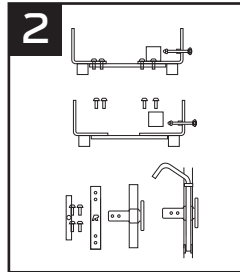
REXER ROLLER STAND

2024 Model

Packing for travel

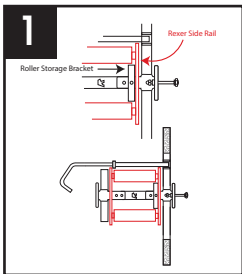


1 With unit assembled, stand over the unit with your heels in the area circled in red. Lower the Upper hook until it is fully inserted in the lower vertical upright. Next grab the Upper hook in area circled in black and rotate counter clockwise until the vertical upright is parallel with the lower base.

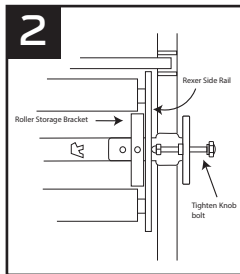


2 Remove the 4 x M6 bolts from the middle, upper, and lower base. Place hardware in a secure place. The unit is now ready for travel.

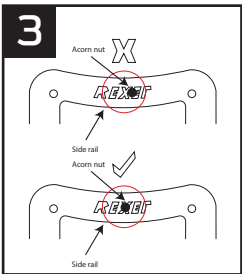
How to use roller storage



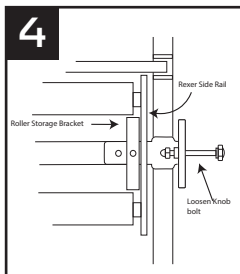
1 With fully assembled unit unthreaded the knob bolt attached to the lower base so there is enough clearance for the side rail of the rollers to pass through. Place Rexer Rollers where the interior face of the side rail is butting up against the outside face of the roller storage bracket.



2 Tighten the Knob bolt until there is sufficient pressure against the outside face of the side rail on the Rexer rollers.



3 To properly secure the Rexer Roller in the stand ensure that the Knob acorn nut is centered in the middle of the "X" of the "Rexer" logo.



4 To remove Rexer Rollers loosen Knob bolt until there is enough room.